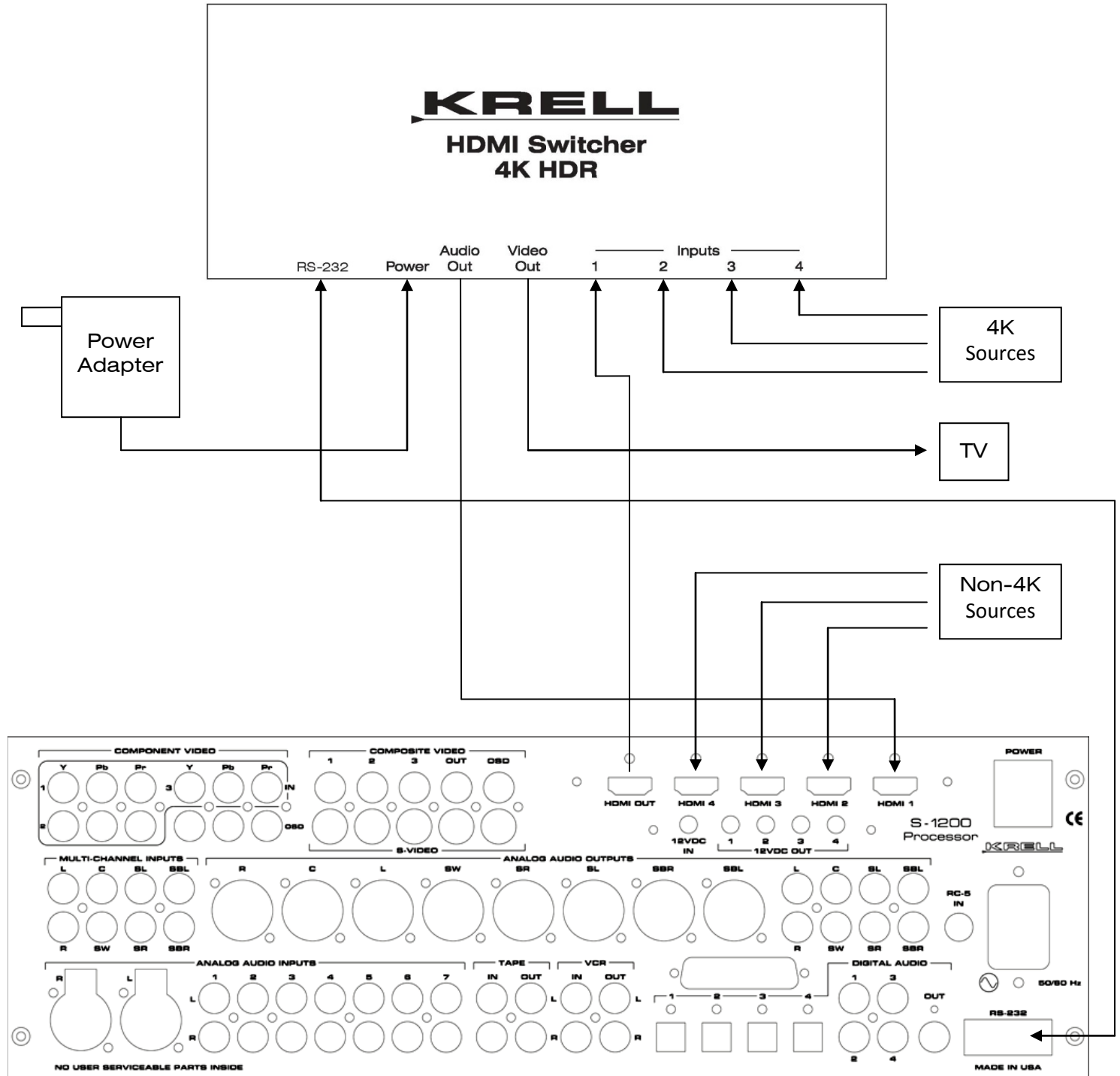


Connections

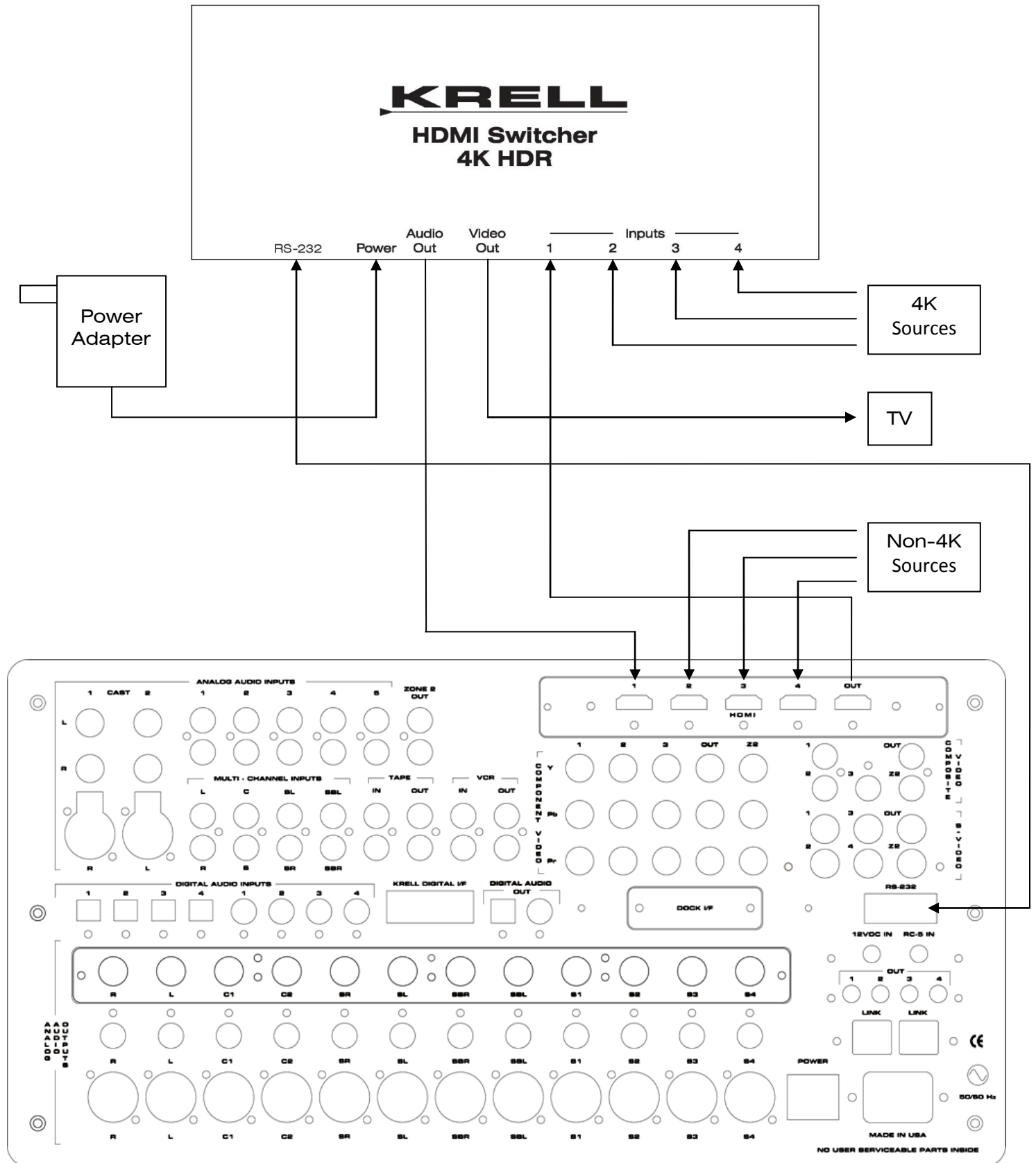
Note: the RS-232 connection is required for operation of the HDMI switcher. If you are using a home control system that also uses the RS-232 connection it will not be possible to use the HDMI switcher.

The following diagram shows a typical connection of the HDMI switcher to an **S-1200**.



Krell HDMI Switcher Owner's Reference Supplement

The following diagram shows a typical connection of the HDMI switcher to an **EV 707**.



Operation

In order to use the HDMI switcher with the **S-1200** or **EV 707** you will need to update the software in your unit to the following versions (or higher). Contact **Krell** for instructions on how you can update the software.

S-1200/S-1200U: **V4.4 or V4.4G**

S-1200 3D/S-1200U 3D: **V2.1 or V2.1G**

EV 707: **V9.2 or V9.2G**

EV 707 3D: **V2.7 or V2.7G**

1. Enable the external HDMI Switcher
Go into the front panel menu to OPERATION->EXTERNAL HDMI SWITCH. Then set ENABLE to YES.
2. Configure your HDMI inputs
Note: HDMI1 will no longer appear in the list of options under MAIN VIDEO INPUT because it is used for the audio connection from the HDMI switcher.
Connect your 4K HDMI source devices to inputs 2-4 on the HDMI switcher and your non-4K HDMI source devices to inputs 2-4 on the S-1200 or EV 707 (see the Connections diagrams). Go into the front panel menu to CONFIGURE DEVICES->CONFIGURE VIDEO. Assign the HDMI inputs from your source devices to the desired source name. HDMI inputs 2-4 correspond to inputs 2-4 on the S-1200 or EV 707 while HDMI inputs 5-7 correspond to inputs 2-4 on the HDMI switcher. Exit the menu when finished.
3. Turn off the rear panel power switch. Apply power to the HDMI switcher (if you have not already done so). Turn on the rear panel power switch and operate the unit as you normally would.

Operational Notes

The front panel display will not indicate 4K video when it is passing through the HDMI switcher. The audio output connection from the switcher runs at a lower video resolution in order to support devices that are not 4K capable and there is no data available to the S1200 or EV 707 from the HDMI switcher that would indicate the video resolution. The on-screen display from the S-1200 or EV 707 is not available when the current input is from the HDMI switcher. When using the menu in this case the video source will switch off and the menu will be displayed in full screen mode.