

Connecting the S-350 to Your System

Krell recommends using balanced interconnect cables. Balanced interconnect cables not only can minimize sonic loss but are also immune to induced noise, especially with installations using long cables. Balanced connections have 6 dB more gain than single-ended connections. When level matching is critical, keep this gain value in mind.

Pin assignments for XLR connectors:

Pin 1 Shield (ground)
Pin 2 Non-inverting (hot) (0°)
Pin 3 Inverting (cold) (180°)

Operating the S-350

Note

The S-350 reads data discs. For example, if you prepare a CDR or DVR containing MP3 audio files, you can play the discs on the S-350. The following terminology appears in the front panel display, to help you navigate a data disc:

ROOT = The beginning of the disc.

F = A closed folder.

TOP = An open folder.

Press the enter button or key (11) to open a folder, move to the previous folder, or play a track.

Press the up and down arrows or keys (10) to move between tracks in a folder.

Licensing attributions:

Manufactured under license from Dolby Laboratories. Dolby is a trademark of Dolby Laboratories.

Manufactured under license under U.S. Patent #'s: 5,451,942; 5,956,674; 5,974,380; 5,978,762; 6,487,535 & other U.S. and worldwide patents issued & pending. DTS and the Symbol are registered trademarks & DTS Digital Surround and the DTS logos are trademarks of DTS, Inc. Product includes software. © DTS, Inc. All Rights Reserved.

Follow these steps to connect the S-350 to your system.

1. Make sure all power sources and components are off before connecting inputs and outputs.
2. Neatly organize the wiring between the S-350 and all system components. Separate AC wires from audio cables to prevent hum or other unwanted noises from being introduced into the system.
3. Balanced outputs use three-pin XLR connectors. Single-ended outputs use RCA connectors. Maintain the correct left/right orientation of these outputs.
4. To play DVD discs (S-350av), connect desired video output to preamp/processor or display's video input. For use with a preamplifier/processor, connect digital audio output to digital audio input.
5. For two-channel compact disc playback only, connect the S-350 digital audio outputs to the D/A convertor or preamplifier/processor digital input or balanced/single-ended analog audio outputs to the preamplifier balanced or single-ended analog audio inputs.
6. Plug the AC power cord into the IEC power connector on the back panel. Then plug the AC power cord into the wall socket.

Press the back panel power switch (35) labeled "1". When the S-350 is initialized and in the stand-by mode, the red stand-by LED (2) on the front panel illuminates. Then press the power button on the front panel or the power key (1) on the remote control, to place the S-350 in the operational mode. When the blue power LED (2) illuminates, the S-350 is in the operational mode.

1. Insert disc into the slot
2. Press the play button or key. The format type is visible in the front panel display. The format type disappears and the front panel display reads TRACK 1 and the track time, as the disc begins playing.
3. Adjust the volume level through your system volume control.
4. Press the stop button or key to end disc playback.
5. Press the play button or key (6) to begin playback again, from the first track.
6. To return the S-350 to the stand-by mode, press the power button or key (1).

1. Do not install near any heat sources such as radiators, heat registers, stoves, or other apparatus (including amplifiers) that produce heat.
2. Unplug this apparatus during lightning storms or when unused for long periods of time.
3. Refer all servicing to qualified service personnel. Servicing is required when the apparatus has been damaged in any way, such as a power-supply cord or plug is damaged, liquid has been spilled or objects have fallen into the apparatus, the apparatus has been exposed to rain or moisture, does not operate normally, or has been dropped.
4. The ventilation grids on the top of the apparatus and the space underneath it must be unobstructed at all times during operation. Do not place flammable material above or beneath the apparatus.
5. Before making connections to the Evolution 505, ensure that the power is off and other components are in mute or stand-by mode. Make sure all cable terminations are of the highest quality, free from frayed ends, short circuits, or cold solder joints.

Please contact Krell if you have questions not addressed in this guide.

S-350

MODEL

SERIAL NUMBER

Krell Industries, LLC., 45 Connair Road, Orange, CT 06477-3650 USA
TEL 203-799-9954, FAX 203-891-2028, E-MAIL krell@krellonline.com
WEB SITE <http://www.krellonline.com>

P/N 310784
v 1.0

KRELL
THE LEADER IN AUDIO ENGINEERING

S-350
CD/DVD Player

QUICK SETUP GUIDE

Getting Started

Thank you for your purchase of the Krell S-350. The S-350 CD/DVD Player is a modular design featuring reference caliber CD playback as well as an optional state-of-the-art video engine that provides stunning 1080p performance and video processing controls. The S-350 can be outfitted with different outputs to match the requirements of any high performance audio or home theater system.

Configurations include:

- **S-350a** - High performance CD player with balanced analog outputs
- **S-350av** - Complete package including audio and video options

Please contact your authorized dealer, distributor, or Krell if you have any questions not addressed in the owner's reference.

WARNINGS

Safety notices:

This CLASS I apparatus must be connected to a MAINS socket outlet with a protective earthing connection.

Do not place the compact disc player where it could be exposed to dripping or splashing.

Do not remove or bypass the ground pin on the end of the AC cord. This may cause radio frequency interference (RFI) to be introduced into your playback system.

The ventilation grids on the top and bottom of the S-350 must be unobstructed at all times during operation. Do not place flammable material on top of or beneath the component.

Turn off all systems' power before connecting the S-350 to any component. Make sure all cable terminations are of the highest quality, free from frayed ends, short circuits, or cold solder joints.

Caution: Visible and invisible laser radiation. When the cover is open, avoid exposure to beam.

This unit employs a laser. To prevent possible eye injury, only a qualified service person should remove the cover or attempt to service this device. Use of controls or adjustments or performance of procedures other than those specified herein may result in hazardous radiation exposure.

THERE ARE NO USER-SERVICEABLE PARTS INSIDE ANY KRELL PRODUCT.

Unpacking

Note

Save all packing materials. If you need to ship the S-350 in the future, repack the unit in its original packaging to prevent shipping damage.

1. Open the shipping box and remove the top layer of foam. You see these items:

1 S-350	1 12 VDC (12 V trigger) cable
1 S-350 remote control	1 T-10 Torx wrench
1 IEC connector (AC power) cord	1 Quick Setup Guide
2 AAA batteries	

2. Grasp the underside of the foam end-caps that encase the S-350 and lift it straight out of the shipping box.

3. Place the S-350 in a safe location and remove the protective plastic wrapping.

Placement

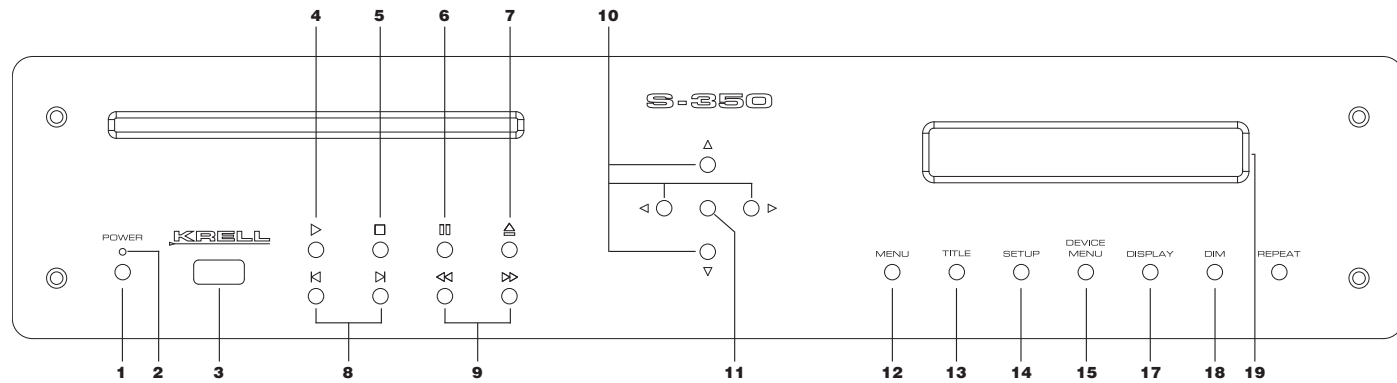
Place the S-350 on a firm, level surface, away from excessive heat, humidity, and moisture. The S-350 requires at least two inches (5 cm) of clearance on each side and at least two inches (5 cm) of clearance above and below the component to provide adequate ventilation. Installations inside cabinetry may need extra ventilation.

Do not place the S-350 near hum sensitive components such as preamplifier phono stages or turntables. Although the S-350 is well shielded, placing it near these components could create interference and cause hum.

The S-350 has superb regulation and does not require a dedicated AC circuit. Avoid connections through extension cords or multiple AC adapters. High

quality 15 amp grounded AC strips are acceptable. High quality AC line conditioners may be used if they are grounded and meet or exceed the unit's power supply rating of 50 VA.

Figure 1 The S-350 Front Panel



Front Panel and Remote

POWER

- 1 Power**
Switches the S-350 between stand-by and operational modes.
- 2 Stand-by and Power LED Stand-by.** The red stand-by LED illuminates when the S-350 is switched on from the back panel, indicating that the player is in the stand-by mode and ready to be switched to the operational mode.
- Power.** The blue power LED illuminates when the S-350 is in the operational mode.
- 3 Infrared Sensor**
Receives commands from the S-350 remote control. For proper remote control operation, do not obstruct the infrared sensor.

TRANSPORT

- 4 Play**
Starts playback from the beginning of the disc.
- 5 Stop**
Stops disc playback.
- 6 Pause**
Temporarily suspends playback of a track. To resume playback at the point pause was engaged, press play.
- 7 Eject**
Ejects disc from transport.
- 8 Track Forward and Back**
Selects the track that follows or precedes the current track. Press repeatedly (do not hold) to skip multiple tracks.
- 9 Search Forward and Back**
Press to scroll forward or backward in the current track. Press play (4) to re-turn to normal playback.

- 10 Directional Arrows**
Press the up, down, left, or right arrows to navigate the operational menu and DVD navigation choices.
- 11 Enter**
Press to select choices from operational menu and DVD navigation.
- 12 Menu**
Access DVD menu (S-350av).
- 13 Title**
Selects the active DVD title (S-350av).
- 14 Setup**
Basic Setup menu for S-350av.
- 15 Device Menu**
Access EV 525 operational menu.
- To set up a program.**
Press PROG (16) then enter a track number and press ENTER (11). Repeat until all desired tracks are entered. Press PLAY (4) to begin the program.

- To exit the program mode.** Eject the disc (7) or press STOP (5) and then press PROG (16) twice.

- 16 Prog**
Press PROG to begin programming a sequence of tracks. If a disc is playing, press STOP (5) and then press PROG.

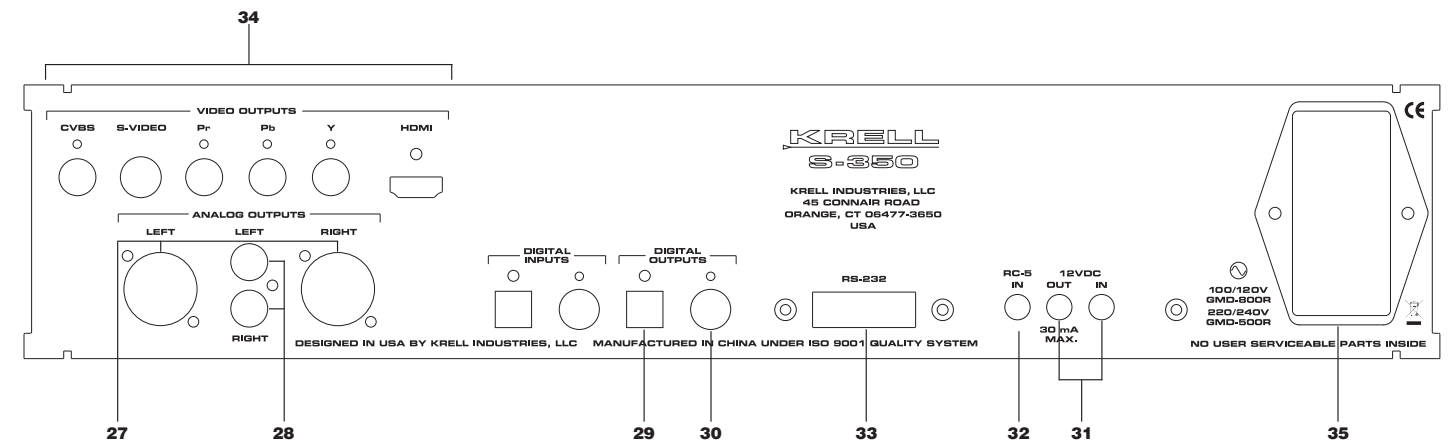
DISPLAY

- 17 Display**
Cycles the front panel display between 4 choices: remaining track time, elapsed track time, elapsed time on the disc, and remaining disc time.
- 18 Dim**
Adjusts the illumination of the front panel display (19).
- 19 Front Panel Display**
Shows disc type and format, and the current status of the disc.
- 20 Disc Transport**
Holds the disc.

REMOTE ONLY

- 21 Audio**
Selects desired audio track on DVD playback (S-350av).
- 22 Subt**
Selects subtitles (S-350av).
- 23 Input**
Selects desired audio input drive, optical, or coaxial.
- 24 Repeat A/B**
Loop between 2 predetermined points within a single track or sequential tracks.
- 25 Angle**
Selects desired desired angle on DVD playback (S-350av).
- 26 Return**
Returns to the previous menu screen.

Figure 2 The S-350 Back Panel



Back Panel

ANALOG AUDIO OUTPUTS

- 27 L and R Balanced Analog Audio Outputs**
One pair of balanced outputs with XLR connectors.
- 28 L and R Single-ended Analog Audio Outputs**
One pair with RCA connectors.

DIGITAL AUDIO OUTPUTS

- 29 Optics Output**
One EIAJ fiber optical digital output with a TosLink connector
- 30 Coax Output**
One S/PDIF coaxial digital output with an RCA connector.

BACK PANEL REMOTE CONNECTIONS

- 31 12 VDC In/Out (12 V Trigger)**
Out. Sends 12 VDC power on/off signals to other Krell components and devices that incorporate a 12 V trigger.
In. Receives 12 VDC power on/off signals from other components and devices that incorporate a 12 V trigger.
- 32 RC-5 In**
Accepts baseband RC-5 input commands from hardwired remote controllers.

- 33 RS-232**
The RS-232 communication port allows you to send and receive operational instructions to and from the S-350 via an external computer control system.
- 34 Video Outputs (S-350av)**
One each: composite video, s-video, analog component (Y,Pb,Pr), and HDMI.

- POWER**
- 35 Back Panel Power Switch**
Use this switch to change the S-350 from off to stand-by.
- 35 IEC Connector**
Use the provided IEC standard 15 amp power cord.

IMPORTANT
Do not attach enhancement accessories such as rings, mats, or dampers to individual discs. These accessories may interfere with the disc transport, resulting in erratic playback and/or poor sound.

Note
The S-350 incorporates an advanced suspension system and does not require additional mass coupling or isolation. You may experiment with feet or cones as long as they are not permanently affixed to the unit. Any unauthorized modification to the unit or electronics voids the warranty.

Figure 3 The S-350 Remote

